

Andon Display DPC-327

Artech Andon Display Solutions; placed in the facility or in the production area, provides the publication of important information such as various data collected from the production, OEE values, targeted and actual production quantities, loom status on line or hall basis.

As Çizgi Teknoloji, we provide solutions with our Artech™ Industrial Computer Product Group to increase production efficiency and reduce cost and energy use in many leading industrial sectors such as automotive, white appliances, textile, food and medicine.



Features;

- ✓ 4mm Tempered Glass Screen Safety Protection
- ✓ Suitable Design for Use in Industrial Environment Conditions
- ✓ 27" / 32" / 43" / 49" / 55" / 65" Screen Options
- ✓ SOC Technology
- ✓ Suitable for Use in Horizontal and Vertical Orientation
- ✓ High Viewing Angle and Contrast
- ✓ Suitable for 24/7 Operation, Durable and Long Lasting
- ✓ Monitor, Android or Windows Operating System Options
- ✓ Bracket Options Suitable for Different Mounting Options

Area of Usage



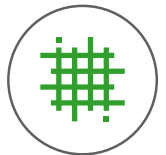
Industry



Automotive



White Appliances



Textile



www.cizgi.net



www.artech-ipc.com.tr



[cizgi-teknoloji](https://www.linkedin.com/company/cizgi-teknoloji)





Color Options



Protected Against Impact
and Dust



2-Year Standard
Warranty and 5-Year
Spare Parts Supply
Warranty



Suitable for 24/7
Operation, Durable and
Long Lasting



Problem Analysis and
Solution with Remote
Connection



**Andon Display Screen
DPC-327**

ORDER CODE

Cpu	: j1900/i5/i7
Feed	: 220 VAC
Ram	: 4GB
HDD	: 500GB(OPS)/64/128/256GBSSD
Wi-Fi	: Optional



SYSTEM

Cpu	: Intel® Celeron j1900 / Intel® Icore i5/i7
Cache	: 2nd Level Depends on CPU
Memory	: 4GB
Video Ram	: Max 128 MB Shared Memory
Chipset	: Intel® Soc / QM77
Watchdog Timer	: 255 Level Reset

INPUT/OUTPUT

Serial Port	: 4 x RS-232 Ports
Usb Port	: 4 x USB 2.0
LAN	: 2 x LAN Realtek Gigabit Ethernet
Wireless LAN	: Optional
Sound	: Line in & Out (AC'97 Codec Audio)

DATA STORAGE

HDD Type	: Vibration Resistant Slot (500 GB HDD)
HDD Storage	: 64 GB / 128GB / 256 GB SSD

FEED

Input	: 220 VAC
--------------	-----------

LCD SCREEN

Size/Type	: 27" LVDS
Max Resolution	: 1920x1080
Pixel Pitch	: 0.311mm x 0.311mm
Max Color	: 16.7 M
Brightness	: 300cd
Contrast Ratio	: 1000/1
Viewing Angle	: 160°(H),160°(V)
Back Light MTBF	: 50,000 Hours

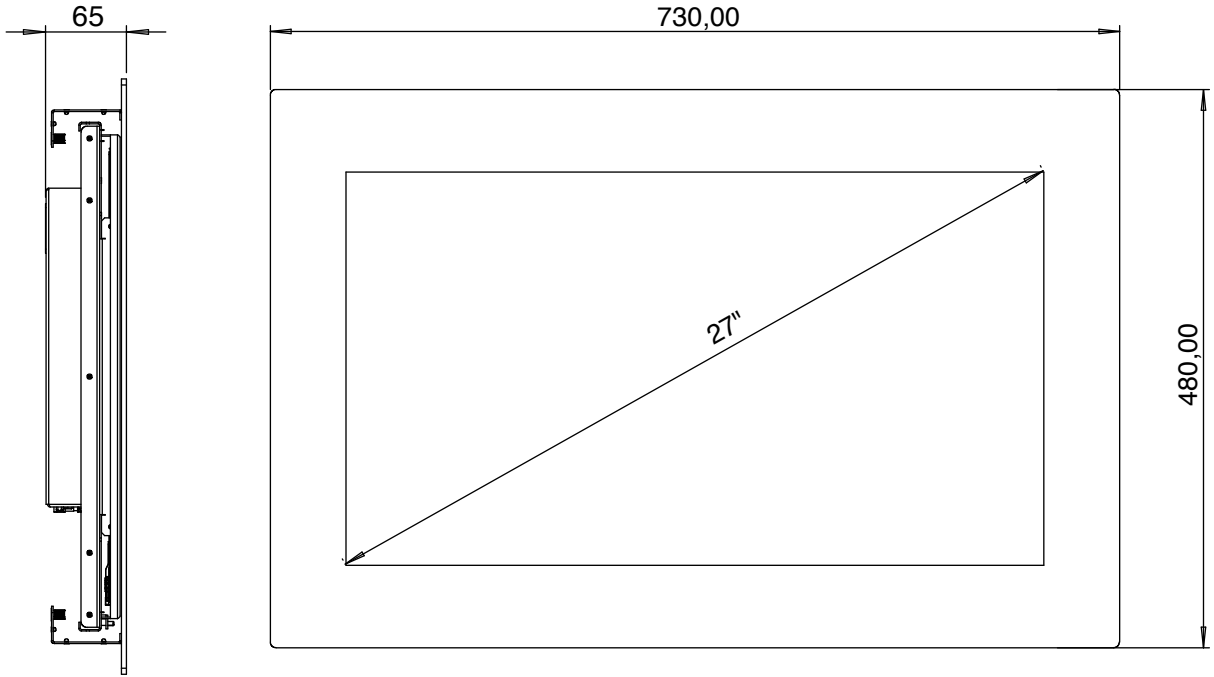
VIDEO OUTPUT

Type	: HDMI/DP/DVI/VGA (Optional)
Max Resolution	: 1920x1080/2560x1600 (Optional)

ENVIRONMENTAL FEATURES

Working Temp	: 0 ~ 60°C
Storage Humidity	: 5 ~ 95% (Non-Condensing)
Case	: Heavy Duty Metal Case
Front Frame	: Metal Framed / Glass Frameless(Optional)
Weight	: Variable According to Screen Size
Size	: Variable According to Screen Size
Mounting	: Wall Mount/Built-In (Optional)





Tel: +90 216 365 82 50

Faks: +90 216 365 82 30



info@cizgi.net

www.cizgi.net



Merve Mah. Necip Fazıl Cad. No:8 34791
Sancaktepe - İstanbul