

Artech Andon Display Solutions; placed in the facility or in the production area, provides the publication of important information such as various data collected from the production, OEE values, targeted and actual production quantities, loom status on line or hall basis.

As Çizgi Teknoloji, we provide solutions with our Artech™ Industrial Computer Product Group to increase production efficiency and reduce cost and energy use in many leading industrial sectors such as automotive, white appliances, textile, food and medicine.



### Features;

- ✓ 4mm Tempered Glass Screen Safety Protection
- ✓ Suitable Design for Use in Industrial Environment Conditions
- ✓ 27" / 32" / 43" / 49" / 55" / 65" Screen Options
- ✓ SOC Technology
- ✓ Suitable for Use in Horizontal and Vertical Orientation
- ✓ High Viewing Angle and Contrast
- ✓ Suitable for 24/7 Operation, Durable and Long Lasting
- ✓ Monitor, Android or Windows Operating System Options
- ✓ Bracket Options Suitable for Different Mounting Options

### Area of Usage



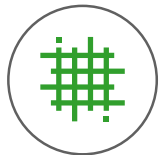
Industry



Automotive



White Appliances



Textile



[www.cizgi.net](http://www.cizgi.net)



[www.artech-ipc.com.tr](http://www.artech-ipc.com.tr)



[cizgi-teknoloji](https://www.linkedin.com/company/cizgi-teknoloji)



ÇİZGİ TEKNOLOJİ



Color Options



Protected Against Impact  
and Dust



2-Year Standard  
Warranty and 5-Year  
Spare Parts Supply  
Warranty



Suitable for 24/7  
Operation, Durable and  
Long Lasting



Problem Analysis and  
Solution with Remote  
Connection



## Andon Display Screen DPC-355

### ORDER CODE

<b>Cpu</b>	: j1900/i5/i7
<b>Feed</b>	: 220 VAC
<b>Ram</b>	: 4GB
<b>HDD</b>	: 500GB(OPS)/64/128/256GBSSD
<b>Wi-Fi</b>	: Optional



### SYSTEM

<b>Cpu</b>	: Intel® Celeron j1900 / Intel® Icore i5/i7
<b>Cache</b>	: 2nd Level Depends on CPU
<b>Memory</b>	: 4GB
<b>Video Ram</b>	: Max 128 MB Shared Memory
<b>Chipset</b>	: Intel® Soc / QM77
<b>Watchdog Timer</b>	: 255 Level Reset

### INPUT/OUTPUT

<b>Serial Port</b>	: 4 x RS-232 Ports
<b>Usb Port</b>	: 4 x USB 2.0
<b>LAN</b>	: 2 x LAN Realtek Gigabit Ethernet
<b>Wireless LAN</b>	: Optional
<b>Sound</b>	: Line in & Out (AC'97 Codec Audio)

### DATA STORAGE

<b>HDD Type</b>	: Vibration Resistant Slot (500 GB HDD)
<b>HDD Storage</b>	: 64 GB / 128GB / 256 GB SSD

### FEED

<b>Input</b>	: 220 VAC
--------------	-----------

### LCD SCREEN

<b>Size/Type</b>	: 55" LVDS
<b>Max Resolution</b>	: 1920x1080
<b>Pixel Pitch</b>	: 0.630 mm x 0.630 mm
<b>Max Color</b>	: 16.7 M
<b>Brightness</b>	: 450cd
<b>Contrast Ratio</b>	: 1000/1
<b>Viewing Angle</b>	: 178°(H),178°(V)
<b>Back Light MTBF</b>	: 50,000 Hours

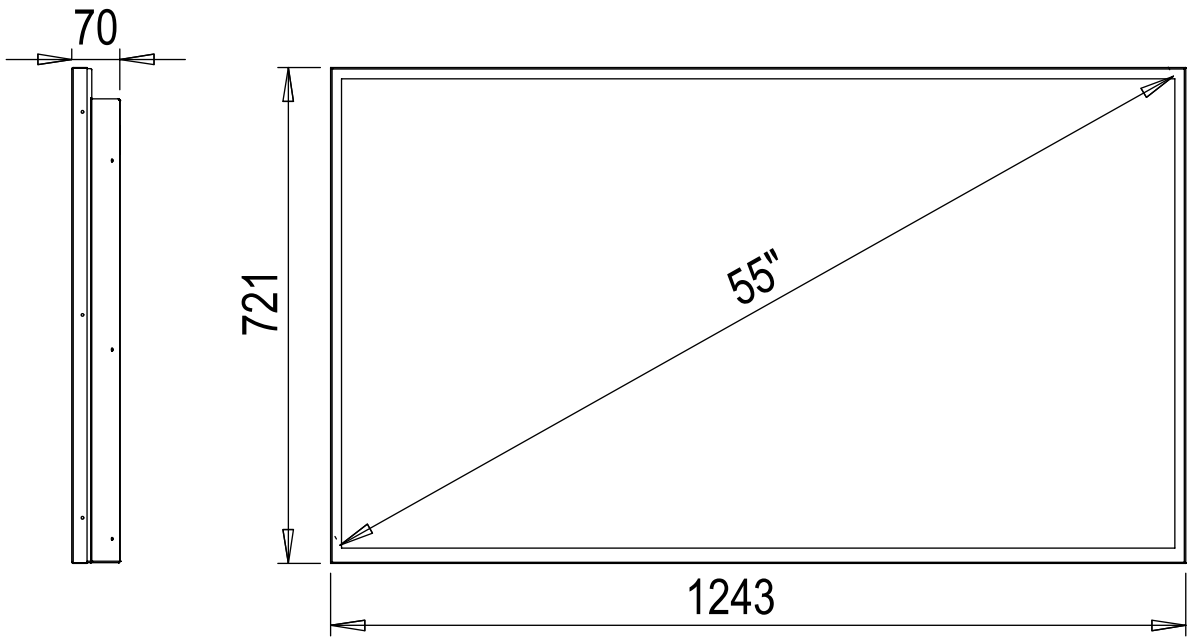
### VIDEO OUTPUT

<b>Type</b>	: HDMI/DP/DVI/VGA (Optional)
<b>Max Resolution</b>	: 1920x1080/2560x1600 (Optional)

### ENVIRONMENTAL FEATURES

<b>Working Temp</b>	: 0 ~ 60°C
<b>Storage Humidity</b>	: 5 ~ 95% (Non-Condensing)
<b>Case</b>	: Heavy Duty Metal Case
<b>Front Frame</b>	: Metal Framed / Glass Frameless(Optional)
<b>Weight</b>	: Variable According to Screen Size
<b>Size</b>	: Variable According to Screen Size
<b>Mounting</b>	: Wall Mount/Built-In (Optional)





Tel: +90 216 365 82 50  
Faks: +90 216 365 82 30



info@cizgi.net  
www.cizgi.net



Merve Mah. Necip Fazıl Cad. No:8 34791  
Sancaktepe - İstanbul

