

Professional Information Display OPC-315

Artech Door Information Screens are specially designed for your corporate identity and architectural decoration. It is used for guidance and information in various environments such as hotels, hospitals, meeting rooms, conference rooms.

Artech Digital Signage solutions; has the advantages of cost saving and efficiency, time saving, multi-purpose usage, real time announcement publishing and prestigious corporate image.



Features;

- ✓ Original Design
- ✓ Customization
- ✓ 3 Year Warranty and Sustainable Spare Parts Supply
- ✓ High Quality Technical Service Support
- ✓ Industrial System Technologies Experience

Area of Usage



SHOPPING



HEALTHCARE



EDUCATION



SMART CITY



ENTERTAINMENT



TOURISM



www.cizgi.net



www.artech-ipc.com.tr



[cizgi-teknoloji](https://www.linkedin.com/company/cizgi-teknoloji)



ÇİZGİ TEKNOLOJİ



Publishing Current
Information and
Announcements



Custom Design



Durable, Industrial
Stainless Case



0-60 ° C Working
Temperature



Problem Analysis and
Solution with Remote
Connection



Professional Information Display OPC-315

ORDER CODE

Cpu	: j1900
Feed	: 110/220V AC , 12/24V DC , POE
Ram	: 4GB / 8GB
HDD	: HDD 320GB / SSD 32GB / SSD 64GB
Wi-Fi	: Optional



SYSTEM

Cpu	: Intel® Celeron™ Processor J1900 Low Power Fanless
Cache	: 2MB
Memory	: 2 x DDR3 SoDIMM maks. 4GB / 8GB
Video Ram	: Maks 128 MB Shared Memory
Chipset	: By Cpu
Watchdog Timer	: 255 Level Reset
System Fan	: 1 x 4cm / 10CFM

INPUT/OUTPUT

Serial Port	: 3 x RS232
Usb Port	: 4 x USB 2.0
LAN	: 2 x Realtek RTL8111G Gigabit LAN with ESP
Wireless LAN	: 802.11 b / g (Optional)
Sound	: Line in & out (AC'97 Codec Audio)
Expansion Slot	: MiniPCIe
Keyboard/Mouse	: N.A.

DATA STORAGE

HDD Type	: Vibration Resistant Slot
HDD Storage	: 64 GB / 128GB / 256 GB SSD

FEED

Input	: 110/220V AC , 12/24V DC , POE
Adapter	: Adapter Included

LCD SCREEN

Size/Type	: 15" / 4:3
Max Resolution	: 1024x768, XGA
Pixel Pitch	: 0.297mm x 0.297mm
Max Color	: 16.7 M
Brightness	: 350cd
Contrast Ratio	: 1000/1
Viewing Angle	: 160°(H),160°(V)
Back Light MTBF	: 50,000 Hours
Touch Screen	: Optional

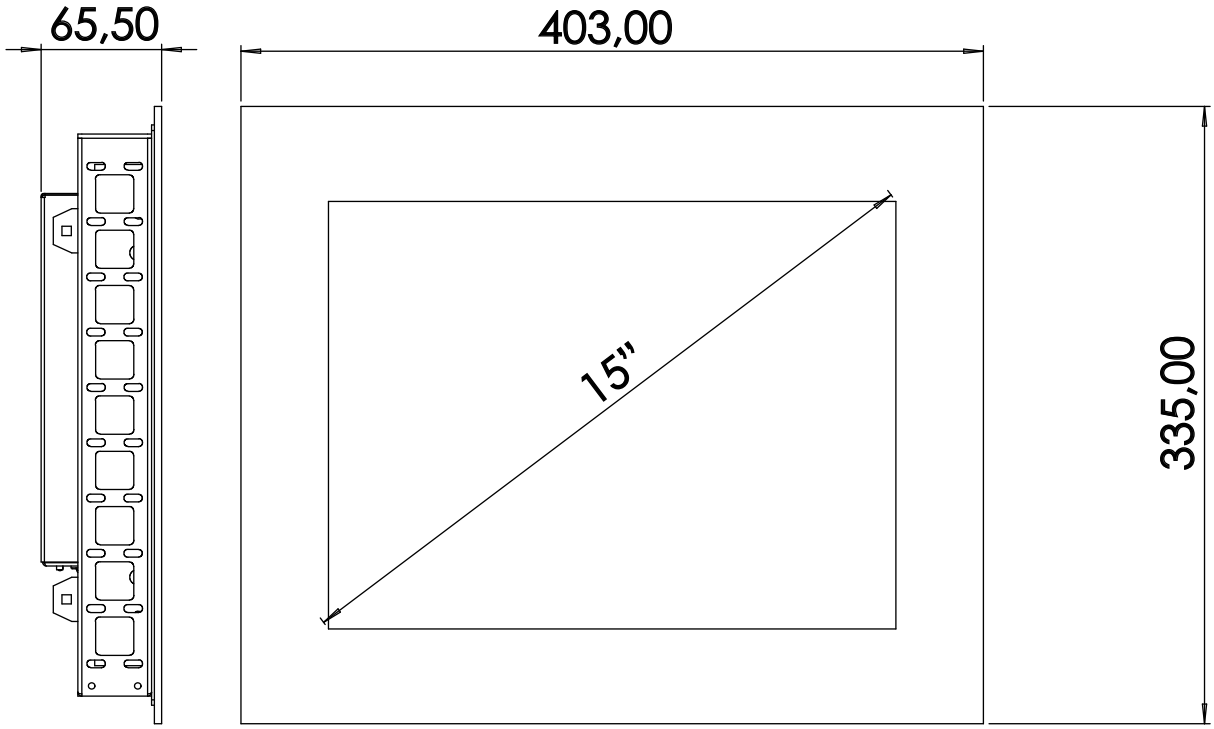
VIDEO OUTPUT

Type	: HDMI
Max Resolution	: 1600x1200 @ 60Hz

ENVIRONMENTAL FEATURES

Working Temp	: 0 ~ 60°C
Storage Humidity	: 5 ~ 95% (Non-Condensing)
Case	: Heavy Duty Metal Case
Front Frame	: Glass
Weight	: Variable According to Screen Size
Dimensions	: Variable According to Screen Size
Mounting	: Built-In





Tel: +90 216 365 82 50
Faks: +90 216 365 82 30



info@cizgi.net
www.cizgi.net



Merve Mah. Necip Fazıl Cad. No:8 34791
Sancaktepe - İstanbul