

Industrial Panel PC Ultimate Series IPC-617

Artech Panel PCs; are touch panel computers that are integrated into production environments and provide high performance in heavy industrial environment conditions.

As Çizgi Teknoloji, we provide solutions with our Artech™ Industrial Computer Product Group to increase production efficiency and reduce cost and energy use in many leading industrial sectors such as automotive, white appliances, textile, food and medicine.



Features;

- ✓ Wide Range of Products Solutions for All Kinds of Application and Environmental Conditions
- ✓ 3 Years Standard and 5 Years Spare Parts Supply Warranty
- ✓ 10" / 15" / 17" / 21" TFT Screen Model Options
- ✓ 4:3 ve 16:9 Screen Ratio Options
- ✓ Wide Viewing Angle and Different Touch Screen Technologies
- ✓ Industrial Grade SSD Suitable for 0-70cdeg Operating Temperature
- ✓ Industrial Grade RAM Suitable for 0-80cdeg Operating Temperature
- ✓ IP65 Front Panel Protection
- ✓ Windows and Android Solutions
- ✓ Celeron / Pentium / iCore Level Solutions
- ✓ WiFi Solutions (B/G/N/AC Supported 5Ghz Technology)
- ✓ Suitable for Vesa and Panel Mounting

Areas of Usage



Industry



Automotive



White Appliances



Textile



Defense Industry



Food Industry



Construction Materials
Industry



www.cizgi.net



www.artech-ipc.com.tr



[cizgi-teknoloji](https://www.linkedin.com/company/cizgi-teknoloji)



ÇİZGİ TEKNOLOJİ

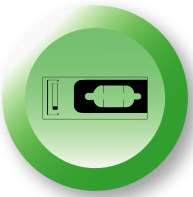
Industrial Panel PC Ultimate Series IPC-617



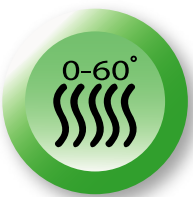
3mm Impact Reinforced
Resistive and Capacitive
Flat Touch Technology



Easy Removable and
Replaceable Disk Slot



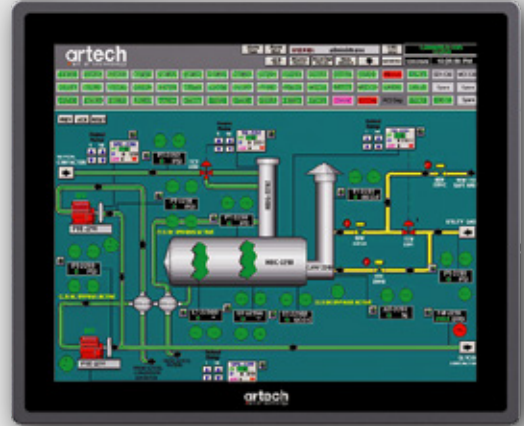
Multipurpose Expansion
Slot (PCIex, IO, Additional
USB - Serial Port etc.)



0-60 Cdeg Working
Performance



Fanless, Dust Proof,
Industrial Type Stainless
Steel Metal Body



Industrial Panel PC Ultimate Series IPC-617

ORDER CODE

Cpu	: i3/i5/i7
Feed	: 24 VDC (Adapter Included)
Ram	: 4GB/8GB/16GB/32GB
HDD	: 64 GB/128GB/256 GB SSD
Wi-Fi	: 802.11 b/g/n 2.4Ghz/5.0 Ghz(Optional)



SYSTEM

Cpu	: Intel® Core i7 / i5 / i3
Cache	: By CPU
Memory	: DDR4 SO-DIMM 4GB/8GB/16GB/32 GB
Video Ram	: Intel® HD Graphics 620
Chipset	: By CPU
Watchdog Timer	: 255 Level Reset

INPUT/OUTPUT

Serial Port	: RS-232/422/485
Usb Port	: 4 x USB 3.0 , 2 x USB 2.0
LAN	: Dual LAN; Dual Gigabit 10/100/1000
Wireless LAN	: 802.11 b/g/n 2.4Ghz/5.0 Ghz(Optional)
Sound	: Line in & out (AC'97 Codec Audio)
Expansion Slot	: 1x M.2 A key / 1x M.2 B key

DATA STORAGE

HDD Type	: Vibration Resistant Slot
HDD Storage	: 64 GB/128GB/256 GB SSD

FEED

Input	: 24 VDC
Adapter	: Adapter Included

LCD SCREEN

Size/Type	: 17" TFT LCD
Max Resolution	: 1280x1024
Pixel Pitch	: 0.297mm x 0.297mm
Max Color	: 16.7 M
Brightness	: 350cd
Contrast Ratio	: 1000/1
Viewing Angle	: 160°(H),160°(V)
Back Light MTBF	: 50,000 hours
Touch Screen	: 17" Touch - Resistive/ Capacitive

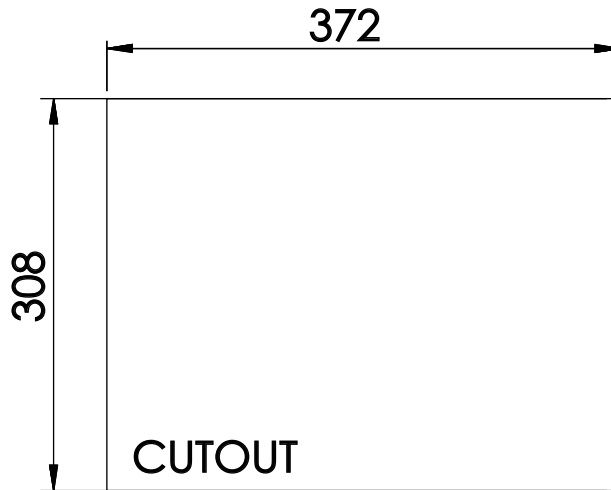
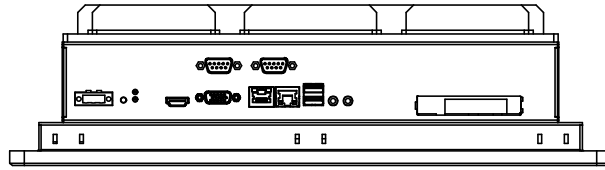
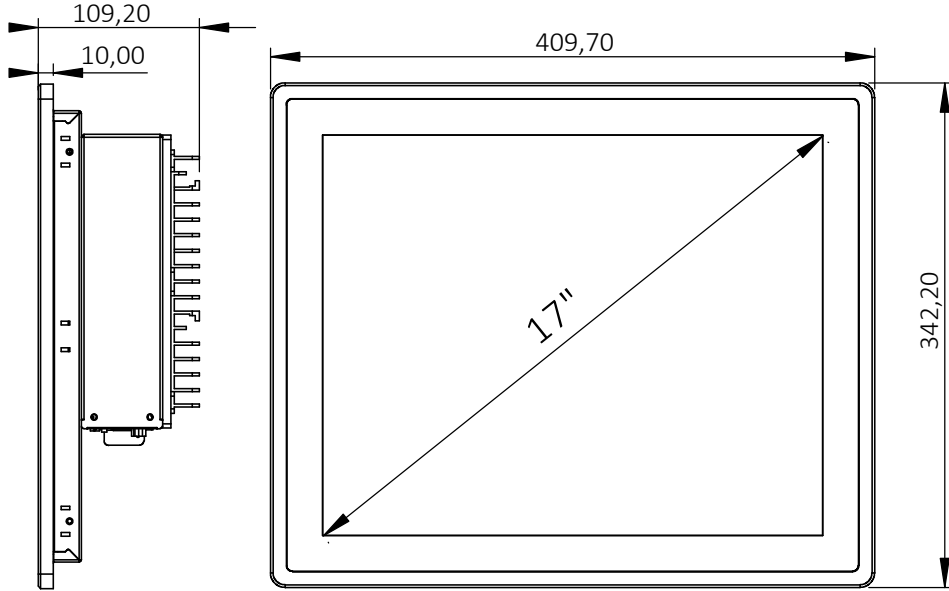
VIDEO OUTPUT

Type	: HDMI/VGA
Max Resolution	: HDMI-3840 x 2160

ENVIRONMENTAL FEATURES

Working Temp	: 0 ~ 60°C
Storage Humidity	: 5 ~ 95% (Non-Condensing)
Case	: Heavy-Duty Stainless Metal Case
Front Frame	: IP65 Aluminum
Weight	: Variable According to Screen Size
Dimensions	: Variable According to Screen Size
Mounting	: Wall, Panel and Vesa





Tel: +90 216 365 82 50
Faks: +90 216 365 82 30



info@cizgi.net
www.cizgi.net



Merve Mah. Necip Fazıl Cad. No:8 34791
Sancaktepe - İstanbul