

## Industrial Panel PC Performance Series IPC-716

Artech Panel PCs; are touch panel computers that are integrated into production environments and provide high performance in heavy industrial environment conditions.

As Çizgi Teknoloji, we provide solutions with our Artech™ Industrial Computer Product Group to increase production efficiency and reduce cost and energy use in many leading industrial sectors such as automotive, white appliances, textile, food and medicine.



### Features;

- ✓ Wide Range of Products Solutions for All Kinds of Application and Environmental Conditions
- ✓ 3 Years Standard and 5 Years Spare Parts Supply Warranty
- ✓ 10" / 15" / 17" / 21" TFT Screen Model Options
- ✓ 4:3 ve 16:9 Screen Ratio Options
- ✓ Wide Viewing Angle and Different Touch Screen Technologies
- ✓ Industrial Grade SSD Suitable for 0-70cdeg Operating Temperature
- ✓ Industrial Grade RAM Suitable for 0-80cdeg Operating Temperature
- ✓ IP65 Front Panel Protection
- ✓ Windows and Android Solutions
- ✓ Celeron / Pentium / iCore Level Solutions
- ✓ WiFi Solutions (B/G/N/AC Supported 5Ghz Technology)
- ✓ Suitable for Vesa and Panel Mounting

### Areas of Usage



Industry



Automotive



White Appliances



Textile



Defense Industry



Food Industry



Construction Materials  
Industry



[www.cizgi.net](http://www.cizgi.net)



[www.artech-ipc.com.tr](http://www.artech-ipc.com.tr)



[cizgi-teknoloji](https://www.linkedin.com/company/cizgi-teknoloji)



ÇİZGİ TEKNOLOJİ

### Industrial Panel PC Performance Series IPC-716



High Performance  
Fanless Processor



Capasitive Multi - Flat  
Touch Screen Technology



16:9 Wide Screen



IP65 Front Panel  
Protection



0-60 Cdeg Working  
Performance



## Industrial Panel PC Performance Series IPC-716

### ORDER CODE

<b>Cpu</b>	: High Performance Fanless Pentium N4200 Processor
<b>Feed</b>	: 12 VDC(Adapter Included)
<b>Ram</b>	: 4GB/8GB/16GB
<b>HDD</b>	: 64 GB/128GB/256 GB SSD
<b>Wi-Fi</b>	: 802.11 b / g / n 5.0 Ghz(Optional)



### SYSTEM

<b>Cpu</b>	: High Performance Fanless Pentium N4200 Processor
<b>Cache</b>	: By CPU
<b>Memory</b>	: DDR3 SoDIMM 4GB/8GB/16GB
<b>Video Ram</b>	: Intel® HD Graphics
<b>Chipset</b>	: By CPU
<b>Watchdog Timer</b>	: 255 Level Reset

### INPUT/OUTPUT

<b>Serial Port</b>	: RS-232/422/485
<b>Usb Port</b>	: 4 x USB 3.0
<b>LAN</b>	: Dual LAN; Dual Gigabit 10/100/1000
<b>Wireless LAN</b>	: 802.11 b / g / n 5.0 Ghz(Optional)
<b>Sound</b>	: Line in & Out (AC'97 codec audio)

### DATA STORAGE

<b>HDD Type</b>	: Vibration Resistant Slot
<b>HDD Storage</b>	: 64 GB/128GB/256 GB SSD

### FEED

<b>Input</b>	: 12 VDC
<b>Adapter</b>	: Adapter Included

### LCD SCREEN

<b>Size/Type</b>	: 15,6" LVDS (16:9 Wide Screen)
<b>Max Resolution</b>	: 1366 x 768
<b>Pixel Pitch</b>	: 0.297mm x 0.297mm
<b>Max Color</b>	: 16.7 M
<b>Brightness</b>	: 350cd
<b>Contrast Ratio</b>	: 1000/1
<b>Viewing Angle</b>	: 160°(H),160°(V)
<b>Back Light MTBF</b>	: 50,000 hours
<b>Touch Screen</b>	: 15,6" Touch - Projected Capacitive

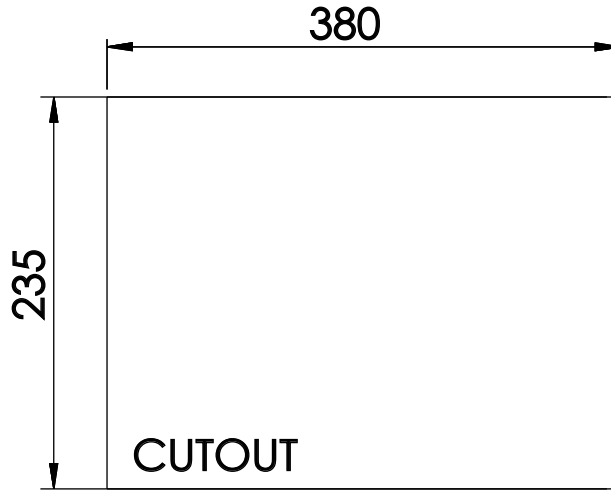
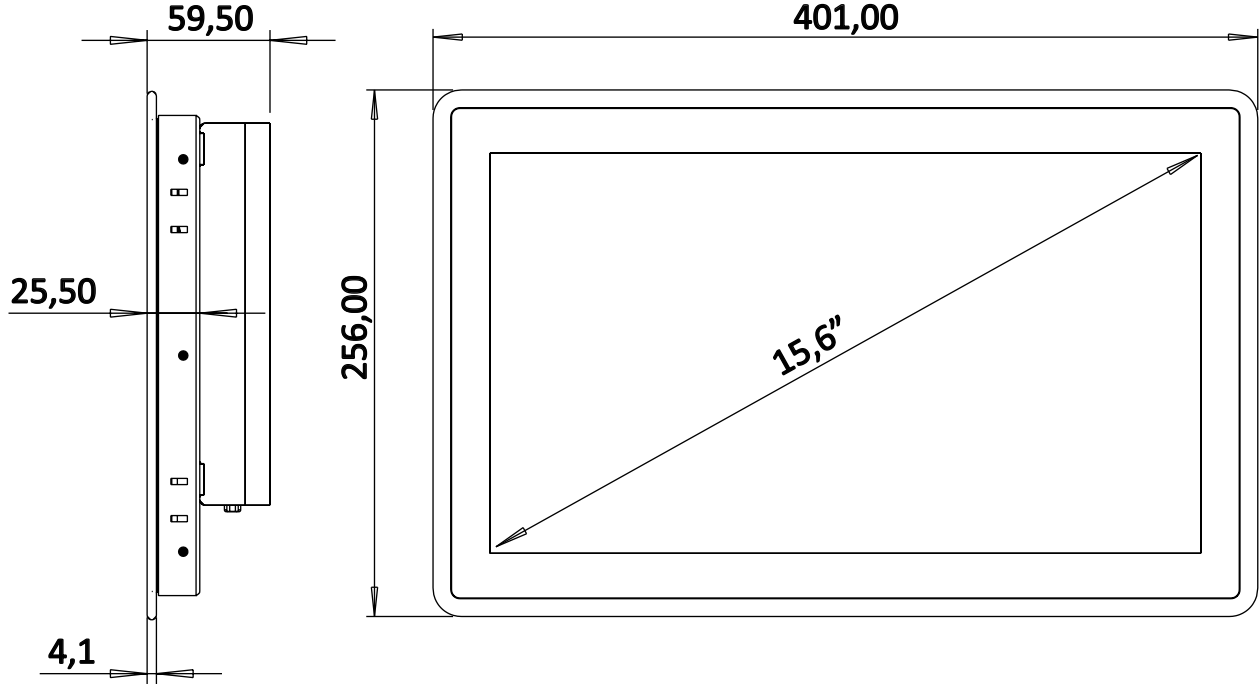
### VIDEO OUTPUT

<b>Type</b>	: HDMI/VGA
<b>Max Resolution</b>	: 4096x2160

### ENVIRONMENTAL FEATURES

<b>Working Temp</b>	: 0 ~ 60°C
<b>Storage Humidity</b>	: 5 ~ 95% (Non-Condensing)
<b>Case</b>	: Heavy-Duty Metal Case
<b>Front Frame</b>	: IP65 Front Panel Protection
<b>Weight</b>	: Variable According to Screen Size
<b>Dimensions</b>	: Variable According to Screen Size
<b>Mounting</b>	: Wall, Panel and Vesa





Tel: +90 216 365 82 50  
Faks: +90 216 365 82 30



info@cizgi.net  
www.cizgi.net



Merve Mah. Necip Fazıl Cad. No:8 34791  
Sancaktepe - İstanbul