

Industrial Panel PC Endurance Series IPC-415-ER

Artech Panel PCs; are touch panel computers that are integrated into production environments and provide high performance in heavy industrial environment conditions.

As Çizgi Teknoloji, we provide solutions with our Artech™ Industrial Computer Product Group to increase production efficiency and reduce cost and energy use in many leading industrial sectors such as automotive, white appliances, textile, food and medicine.



Features;

- ✓ Wide Range of Products Solutions for All Kinds of Application and Environmental Conditions
- ✓ 3 Years Standard and 5 Years Spare Parts Supply Warranty
- ✓ 10" / 15" / 17" / 21" TFT Screen Model Options
- ✓ 4:3 ve 16:9 Screen Ratio Options
- ✓ Wide Viewing Angle and Different Touch Screen Technologies
- ✓ Industrial Grade SSD Suitable for 0-70cdeg Operating Temperature
- ✓ Industrial Grade RAM Suitable for 0-80cdeg Operating Temperature
- ✓ IP65 Front Panel Protection
- ✓ Windows and Android Solutions
- ✓ Celeron / Pentium / iCore Level Solutions
- ✓ WiFi Solutions (B/G/N/AC Supported 5Ghz Technology)
- ✓ Suitable for Vesa and Panel Mounting

Areas of Usage



Industry



Automotive



White Appliances



Textile



Defense Industry



Food Industry



Construction Materials
Industry



www.cizgi.net



www.artech-ipc.com.tr



[cizgi-teknoloji](https://www.linkedin.com/company/cizgi-teknoloji)



ÇİZGİ TEKNOLOJİ

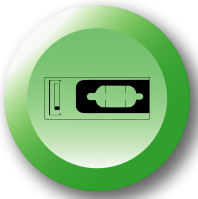
Industrial Panel PC Endurance Series IPC-415-ER



Fanless Celeron
Processor



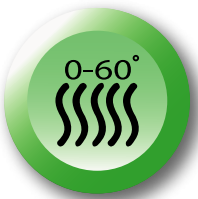
Resistive Flat Touch
Screen Technology



Multipurpose Expansion
Slot (PCIex, IO, Additional
USB - Serial Port etc.)



Easy Removable and
Replaceable Disk Slot



0-60 Cdeg Working
Performance



Industrial Panel PC Endurance Series IPC-415-ER

ORDER CODE

Cpu	: j1900
Feed	: 220 VAC
Ram	: 4GB/8GB/16GB
HDD	: 500GB HDD/64/128/256GBSSD
Wi-Fi	: Optional



SYSTEM

Cpu	: Intel® Celeron j1900
Cache	: 2nd Level Depends on CPU
Memory	: DDR3 SoDIMM 4GB/8GB/16GB
Video Ram	: Maks 128 MB Shared Memory
Chipset	: Intel® Soc / QM77
Watchdog Timer	: 255 Level Reset

INPUT/OUTPUT

Serial Port	: 3 x RS-232 Ports
Parallel Port	: SPP/EPP/ECP(Optional)
Usb Port	: 4 x USB 2.0 Compatible
LAN	: Dual LAN; Dual Gigabit 10/100/1000
Wireless LAN	: Optional
Sound	: Line in & Out (AC'97 Codec Audio)
Expansion Slot	: PCI , MiniPCIe

DATA STORAGE

HDD Type	: Vibration Resistant Slot
HDD Storage	: 500 GB HDD/64 GB/128GB/256 GB SSD

FEED

Input	: 220VAC
-------	----------

LCD SCREEN

Size/Type	: 15" LVDS 4:3
Max Resolution	: 1024 x 768, XGA
Pixel Pitch	: 0.297mm x 0.297mm
Max Color	: 16.7 M
Brightness	: 350cd
Contrast Ratio	: 1000/1
Viewing Angle	: 160°(H),160°(V)
Back Light MTBF	: 50,000 hours
Touch Screen	: 15" Touch - Resistive

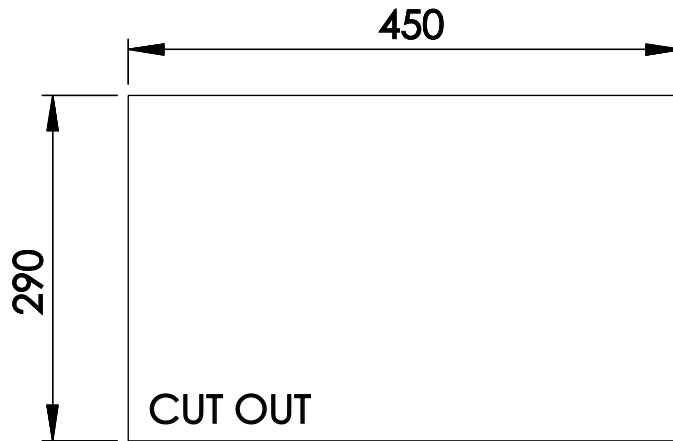
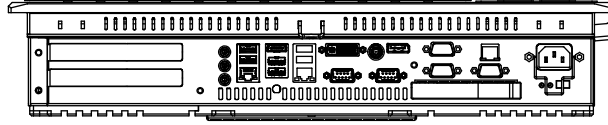
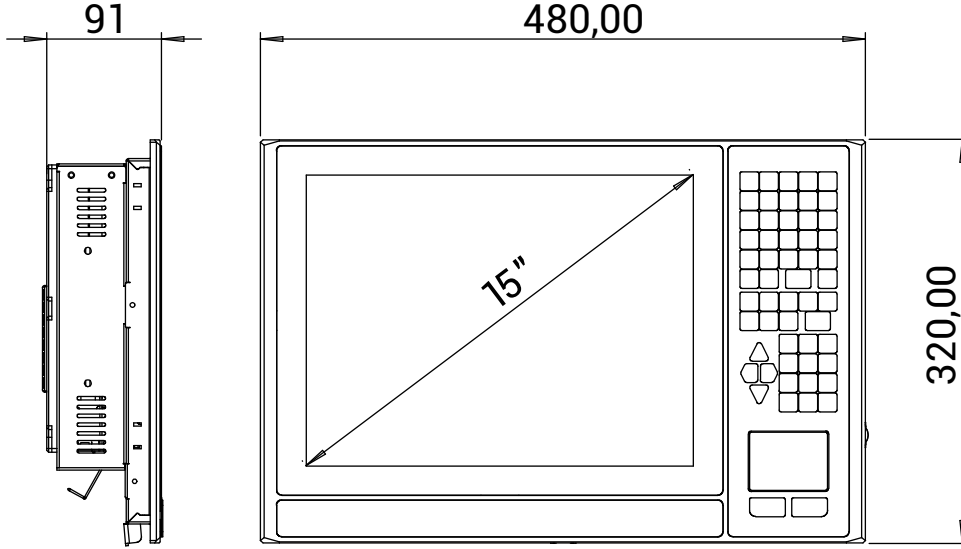
VIDEO OUTPUT

Type	: HDMI/DP/DVI/VGA (Optional)
Max Resolution	: 1920x1080/2560x1600 (Optional)

ENVIRONMENTAL FEATURES

Working Temp	: 0 ~ 60°C
Storage Humidity	: 5 ~ 95% (Non-Condensing)
Case	: Heavy-Duty Stainless Metal Case
Front Frame	: IP65 Aluminum
Weight	: Variable According to Screen Size
Dimensions	: Variable According to Screen Size
Mounting	: Wall, Panel and Vesa
Keyboard/Mouse	: Integrated Industrial Membrane Switch Full Keyboard & Touchpad





Tel: +90 216 365 82 50
Faks: +90 216 365 82 30



info@cizgi.net
www.cizgi.net



Merve Mah. Necip Fazıl Cad. No:8 34791
Sancaktepe – İstanbul

