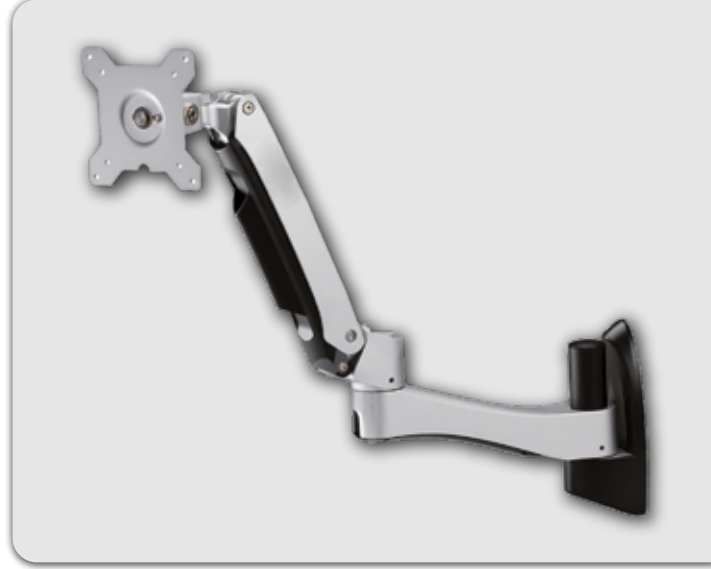


### Industrial Pendant Arm Artech Pendant Arm

Artech Pendant Arm; can be positioned in many industrial production areas such as factories and production facilities. It is resistant to tough industrial conditions, can easily move in the direction you want and can carry 15 kg.

As Çizgi Teknoloji, we provide solutions with our Artech™ Industrial Computer Product Group to increase production efficiency and reduce cost and energy use in many leading industrial sectors such as automotive, white appliances, textile, food and medicine.



### Features;

- ✓ Pan-Tilt Feature
- ✓ Rotation Feature On Its Axis
- ✓ Industrial Piston Arm
- ✓ Slim and Stylish Design
- ✓ Easy Mounting and Use
- ✓ Long Lasting Stainless Material

### Area of Usage



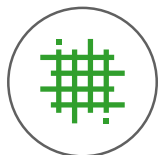
ENDÜSTRİ



OTOMOTİV  
SANAYİİ



BEYAZ EŞYA



TEKSTİL



[www.cizgi.net](http://www.cizgi.net)



[www.artech-ipc.com.tr](http://www.artech-ipc.com.tr)



[cizgi-teknoloji](https://www.linkedin.com/company/cizgi-teknoloji)



ÇİZGİ TEKNOLOJİ



Pan-Tilt Feature



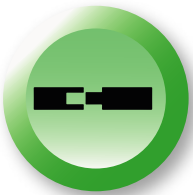
Rotation Feature On Its  
Axis



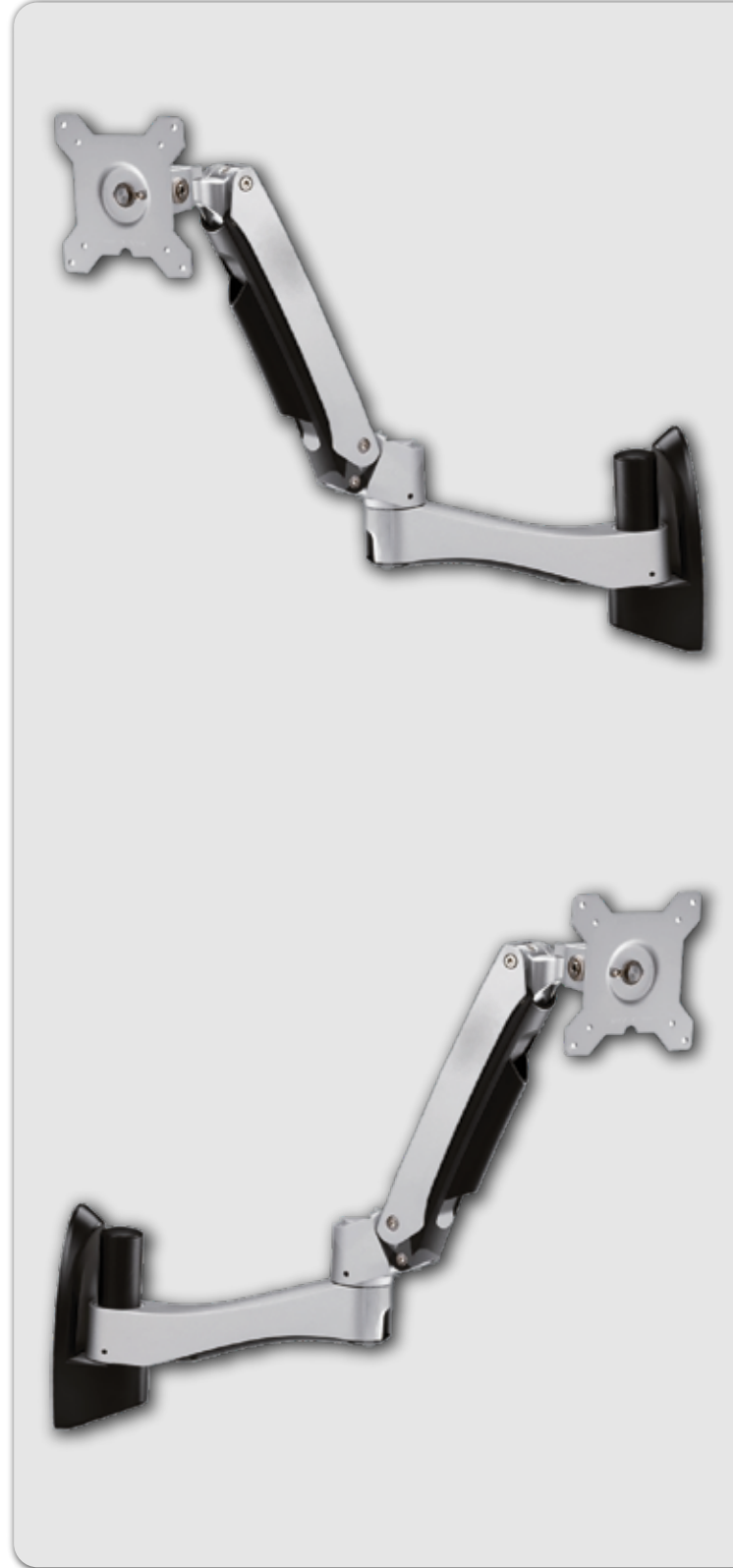
Industrial Piston Arm



Easy Mounting and Use



15 Kg. Carrying Capacity



**GENERAL FEATURES**

Pan-Tilt Feature

Rotation Feature On Its Axis

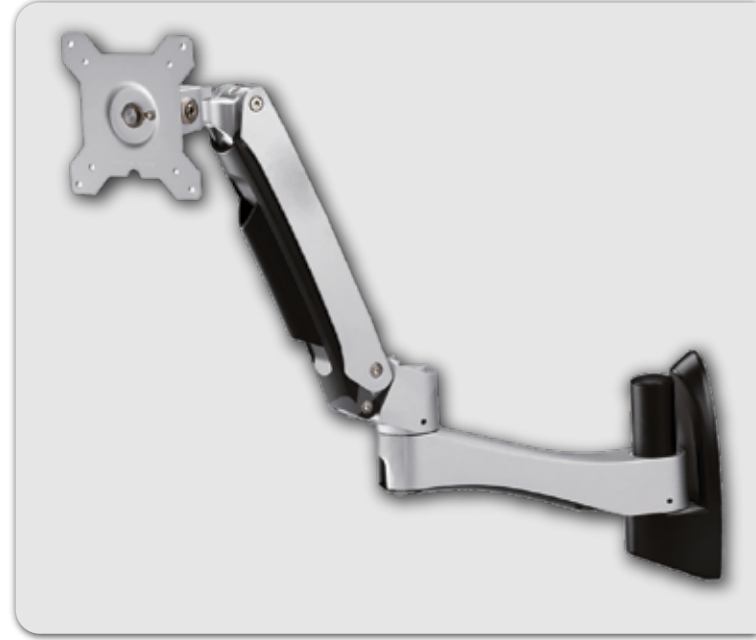
Industrial Piston Arm

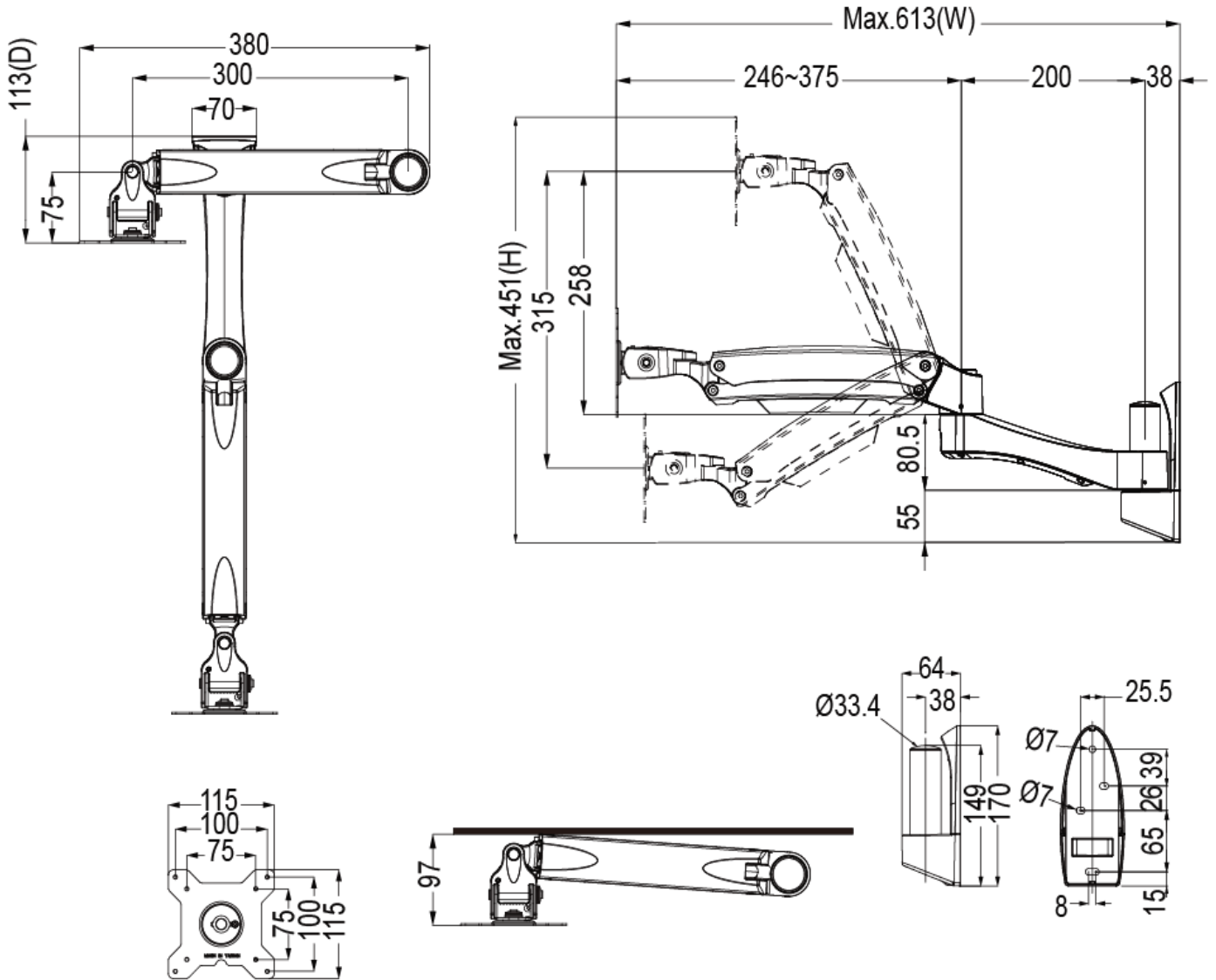
Slim and Stylish Design

Easy Mounting and Use

Long Lasting Stainless Material

15 kg. Carrying Capacity





Tilt	Height Adjust	Swivel	Cable Management	Torque Adjust
<p>+90° -20°</p>	<p>65° -30°</p>	<p>±90° ±90°</p>		

