

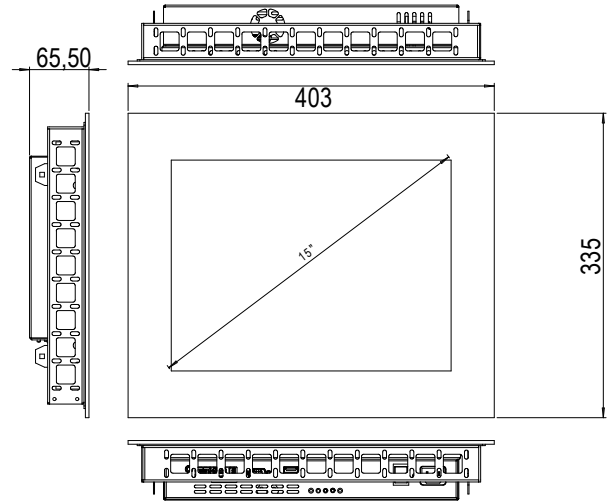
HPC-315-Series



Areas of usage; polyclinic door information systems, meeting rooms or conference rooms door information systems and in interactive kiosk systems for routing and informing.

- ✓ Access to Patient Information with HIS
- ✓ Slim Industrial Stainless Case
- ✓ 0-60 ° C Operating Temperature
- ✓ Corporate Color and Logo Options

HPC-315-Series



System

CPU	Intel® Celeron™ Processor J1900 Low Power Fanless
Cache	2MB
Memory	2 x DDR3 SoDIMM max 4GB / 8GB
Video RAM	Max 128 MB shared memory
Chipset	N.A.
Watchdog Timer	255 Level Reset
System Fan	1 x 4cm / 10CFM

I/O

Serial Port	3 x RS-232 ports
Parallel Port	N.A.
USB Port	4 x USB 2.0
KB / MS	1 x PS2 K/B and Mouse
LAN	1 x LAN Realtek Gigabit Ethernet,
Wireless Lan	802.11 b / g (Optional)
Audio	Line in & out (AC'97 codec audio)
Expansion Slot	MiniPCIe

Data Storage

HDD / Type	2.5" HDD/SSD
------------	--------------

Feed

Input	110 / 220VAC - 12 / 24VDC - PoE
-------	---------------------------------

Order code

CPU	PSU	RAM	HD	Wifi
J1900	AC110/220	R4	HDD 320GB	Optional
	DC12/24	R8	SSD 32 GB	
	PoE		SSD 64 GB	

LCD Screen

Size / Type	15" / 4:3
Maks. Resolution	1024 x 768, XGA
Pixel Pitch	0.297mm x 0.297mm
Max Color	16.7 M
Brightness (cd/m2)	350
Contrast Ratio	1000/1
Viewing Angle	160°(H),160°(V)
Back Light MTBF	50,000 hours
Touch Screen	N.A.

Extra Video Output

Type	HDMI
Max. Resolution	1920x1080

Mechanical & Environmental Specifications

Operating Temperature	0 ~ 60°C
Storage Humidity	5 ~ 95% (non-condensing)
Case	Heavy-Duty Metal Case
Front Frame	Glass
Weight	Variable according to screen size (1–5 kg)
Dimensions	(WxHxD) Variable by screen size
Mounting	Built-in