

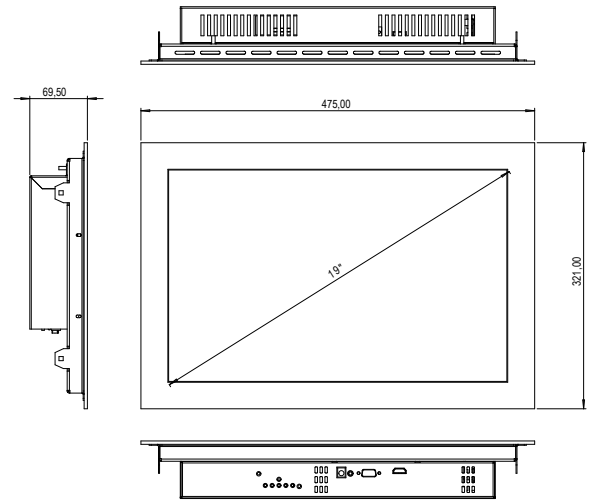
HPC-319-Series



Areas of usage; polyclinic door information systems, meeting rooms or conference rooms door information systems and in interactive kiosk systems for routing and informing.

- ✓ Access to Patient Information with HIS
- ✓ Slim Industrial Stainless Case
- ✓ 0-60 ° C Operating Temperature
- ✓ Corporate Color and Logo Options

HPC-319-Series



System

| | |
|----------------|---|
| CPU | Intel® Celeron™ Processor J1900 Low Power Fanless |
| Cache | 2MB |
| Memory | 2 x DDR3 SoDIMM max 4GB / 8GB |
| Video RAM | Max 128 MB shared memory |
| Chipset | N.A. |
| Watchdog Timer | 255 Level Reset |
| System Fan | 1 x 4cm / 10CFM |

I/O

| | |
|----------------|-----------------------------------|
| Serial Port | 3 x RS-232 ports |
| Parallel Port | N.A. |
| USB Port | 4 x USB 2.0 |
| KB / MS | 1 x PS2 K/B and Mouse |
| LAN | 1 x LAN Realtek Gigabit Ethernet, |
| Wireless Lan | 802.11 b / g (Optional) |
| Audio | Line in & out (AC'97 codec audio) |
| Expansion Slot | MiniPCIe |

Data Storage

| | |
|------------|--------------|
| HDD / Type | 2.5" HDD/SSD |
|------------|--------------|

Feed

| | |
|-------|---------------------------------|
| Input | 110 / 220VAC - 12 / 24VDC - PoE |
|-------|---------------------------------|

Order code

| CPU | PSU | RAM | HD | Wifi |
|-------|-----------|-----|-----------|----------|
| J1900 | AC110/220 | R4 | HDD 320GB | Optional |
| | DC12/24 | R8 | SSD 32 GB | |
| | PoE | | SSD 64 GB | |

LCD Screen

| | |
|--------------------|-------------------|
| Size / Type | 19" / 16:9 |
| Maks. Resolution | 1280x1024, XGA |
| Pixel Pitch | 0.297mm x 0.297mm |
| Max Color | 16.7 M |
| Brightness (cd/m2) | 350 |
| Contrast Ratio | 1000/1 |
| Viewing Angle | 160°(H),160°(V) |
| Back Light MTBF | 50,000 hours |
| Touch Screen | N.A. |

Extra Video Output

| | |
|-----------------|-------------|
| Type | HDMI |
| Max. Resolution | 1600 x 1200 |

Mechanical & Environmental Specifications

| | |
|-----------------------|--|
| Operating Temperature | 0 ~ 60°C |
| Storage Humidity | 5 ~ 95% (non-condensing) |
| Case | Heavy-Duty Metal Case |
| Front Frame | Glass/Stainless Steel |
| Weight | Variable according to screen size (1–5 kg) |
| Dimensions | (WxHxD) Variable by screen size |
| Mounting | Built-in |