

Artech Mobile Clinical Computer is an ergonomic digital workstation designed for nurses working in critical treatment areas such as intensive care units, quickly moving to any desired location on any floor. Artech Mobile Clinical Computer, which facilitates the digital recording and accessibility of critical information and documents required for medical processes, helps the error-free treatment process with digital checklists, increases the focus of doctors and nurses on the patient and helps increase patient satisfaction.



### Features;

- ✓ Quick access to the patient's medical history
- ✓ Error-free documentation and reporting in the digital environment
- ✓ Digital checklist
- ✓ Monitoring medicines and medical consumables used with barcode reader
- ✓ Registration, control and monitoring of drugs and medical consumables used with a digital checklist
- ✓ Monitor height adjustment and ergonomic keyboard tray
- ✓ Addable multiple drawer options
- ✓ Anti-bacterial, disinfectable body

### SECTORS



MEDICAL



[www.cizgi.net](http://www.cizgi.net)



[www.artech-ipc.com.tr](http://www.artech-ipc.com.tr)



[cizgi-teknoloji](https://www.linkedin.com/company/cizgi-teknoloji)



ÇİZGİ TEKNOLOJİ



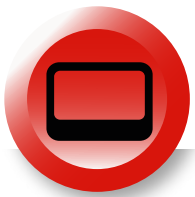
Medical grade,  
High Resolution 21" Screen



Optional Built-in Barcode Reader



Material and Consumable Tracking  
with Barcode and RFID System



Access to Patient Information  
and Personnel Tracking



### Order Code

<b>Cpu</b>	: Intel® N4200 / i3 / i5 / i7
<b>PSU</b>	: DC - 12/24 VDC
<b>Ram</b>	: R4, R8, R16, R32
<b>HDD</b>	: 500 GB HDD(Optional), 64 GB SSD, 128 GB SSD, 256 GB SSD
<b>Wi-Fi</b>	: Optional



### System

<b>Cpu</b>	: Intel® N4200 / i3 / i5 / i7
<b>Cache</b>	: By CPU
<b>Memory</b>	: 2 x DDR3 SO-DIMM Sockets, Max. Capacity 32 GB
<b>Video Ram</b>	: Intel® HD Graphics
<b>Chipset</b>	: By CPU
<b>Watchdog Timer</b>	: 255 Level Reset

### INPUT/OUTPUT

<b>Serial Port</b>	: RS-232/422/485
<b>Paralel Port</b>	: N.A.
<b>Usb Port</b>	: 4 x USB 3.0
<b>LAN</b>	: Dual Lan; Dual Gigabit Ethernet 10/100/1000
<b>Wireless LAN</b>	: 802.11bg / n (Optional)
<b>Audio</b>	: Line in & out (AC'97 codec audio)

### Data Storage

<b>HDD / Type</b>	: 2.5 "HDD in Vibration Resistant Slot
<b>SSD</b>	: 64 GB / 128 GB / 256 GB

### Feed

<b>Input</b>	: 110 / 220VAC veya / 24VDC
	:

### LCD Screen

<b>Type and Size</b>	: 21,5" LVDS (16:9 Widescreen)
<b>Max. Resolution</b>	: 1920 x 1080, Full HD
<b>Pixel Pitch</b>	: 0.297mm x 0.297mm
<b>Max Color</b>	: 16.7 M
<b>Brightness (cd/m2)</b>	: 350cd
<b>Contrast Ratio</b>	: 1000/1
<b>Viewing Angle</b>	: 160°(H),160°(V)
<b>Back Light MTBF</b>	: 50,000 hours
<b>Touch Screen</b>	: 21,5" Touch - Projected Capacitive

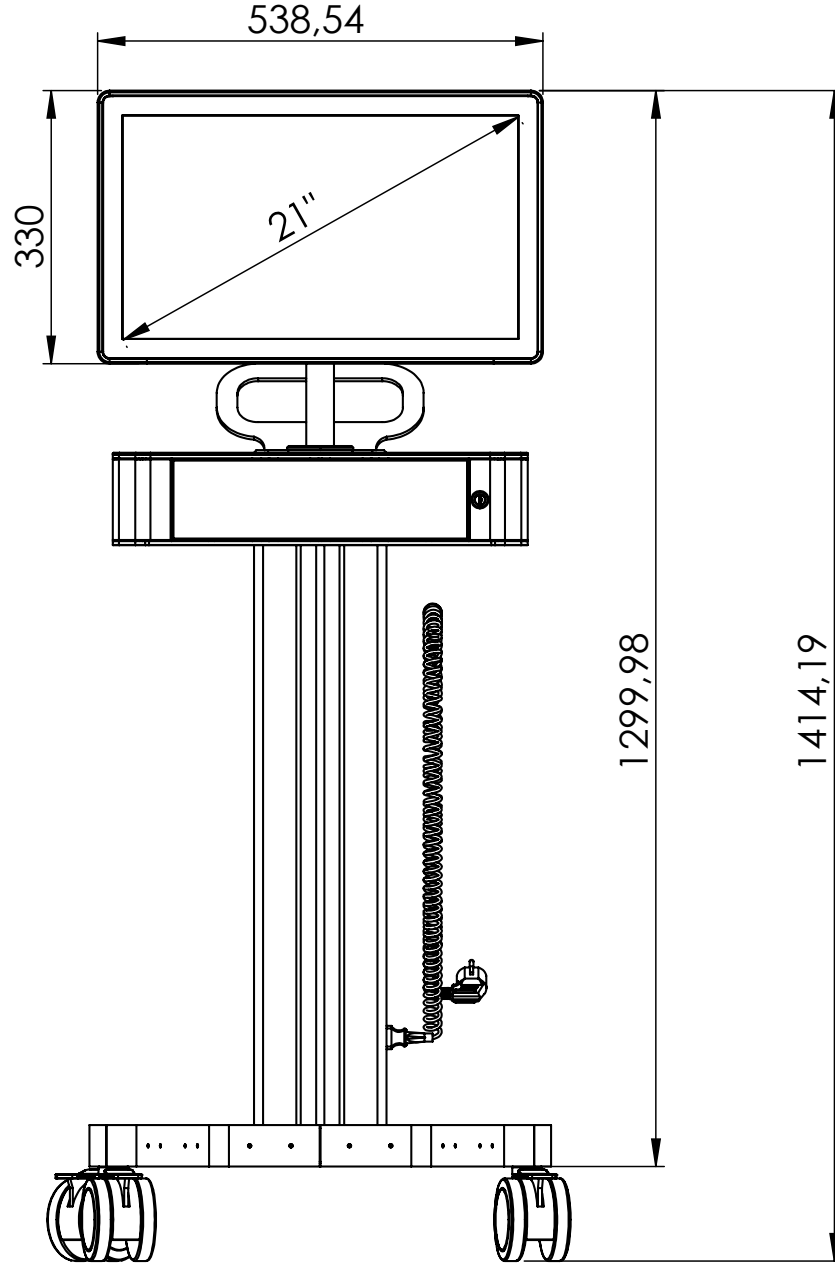
### Mechanical & Environmental Features

<b>Operating Temperature</b>	: 0 ~ 60°C
<b>Storage Humidity</b>	: 5 ~ 95% (non-condensing)
<b>Front Frame</b>	: IP65
<b>Case</b>	: Heavy-Duty Metal Body
<b>Weight</b>	: Variable According to Screen Size (1—5 kg)
<b>Mounting</b>	: Panel and Vesa
<b>Dimensions</b>	: Variable According to Screen Size

### Extra Video Output

<b>Type</b>	: HDMI/VGA
<b>Max. Resolution</b>	: 4096x2160





Tel:+90 216 365 82 50  
Faks:+90 216 365 82 30



info@cizgi.net  
www.cizgi.net



Merve Mah. Necip Fazıl Cad. No:8 34791  
Sancaktepe – İstanbul

