

### Elevator Information Display SM-315

With Artech Elevator Information Displays that can be customized for your architectural structure and you can provide instant and effective information flow about in-house information and promotional activities during the time spent in elevators.

Artech Digital Signage solutions; has the advantages of cost saving and efficiency, time saving, multi-purpose usage, real time announcement publishing and prestigious corporate image.



#### Features;

- ✓ Original Design
- ✓ Customization
- ✓ 3 Year Warranty and Sustainable Spare Parts Supply
- ✓ High Quality Technical Service Support
- ✓ Industrial System Technologies Experience

#### Area of Usage



SHOPPING



HEALTHCARE



EDUCATION



SMART CITY



ENTERTAINMENT



TOURISM



[www.cizgi.net](http://www.cizgi.net)



[www.artech-ipc.com.tr](http://www.artech-ipc.com.tr)



[cizgi-teknoloji](https://www.linkedin.com/company/cizgi-teknoloji)



ÇİZGİ TEKNOLOJİ

### Elevator Information Display SM-315



Publishing Current  
Information and  
Announcements



Easily Accessible Screen  
and PC Design



Custom Design



Built-in Case for High  
Hold



Problem Analysis and  
Solution with Remote  
Connection



## Elevator Information Display SM-315

### ORDER CODE

<b>Cpu</b>	: All Winner R18, Quad Core,Cortex A53 1.5 GHz
<b>Feed</b>	: 220VAC
<b>Ram</b>	: 2GB
<b>HDD</b>	: EMMC8G / EMMC32G (Optional)
<b>Wi-Fi</b>	: 802.11 b / g (Optional)



### SYSTEM

<b>Cpu</b>	: All Winner R18, Quad Core,Cortex A53 1.5 GHz
<b>Cache</b>	: By Cpu
<b>Memory</b>	: 1G LPDDR3 (Option 2G)
<b>Video Ram</b>	: By Cpu
<b>Chipset</b>	: By Cpu
<b>Watchdog Timer</b>	: Support
<b>Android OS</b>	: Android 6.0

### INPUT/OUTPUT

<b>Serial Port</b>	: N.A
<b>Usb Port</b>	: 2 x USB 2.0
<b>LAN</b>	: 1 x LAN Realtek Gigabit Ethernet
<b>Wireless LAN</b>	: 802.11 b / g (Optional)
<b>Sound</b>	: Support L/R Phone Jack and 10W / 8Rx2

### DATA STORAGE

<b>HDD Type</b>	: EMMC
<b>HDD Storage</b>	: EMMC8G / EMMC32G (Optional)

### FEED

<b>Input</b>	: 220VAC
--------------	----------

### LCD SCREEN

<b>Size/Type</b>	: 15" LVDS
<b>Max Resolution</b>	: 1440X900
<b>Pixel Pitch</b>	: 0.297mm x 0.297mm
<b>Max Color</b>	: 16.7 M
<b>Brightness</b>	: 300cd
<b>Contrast Ratio</b>	: 1000/1
<b>Viewing Angle</b>	: 160°(H),160°(V)
<b>Back Light MTBF</b>	: 50,000 Hours
<b>Touch Screen</b>	: N.A

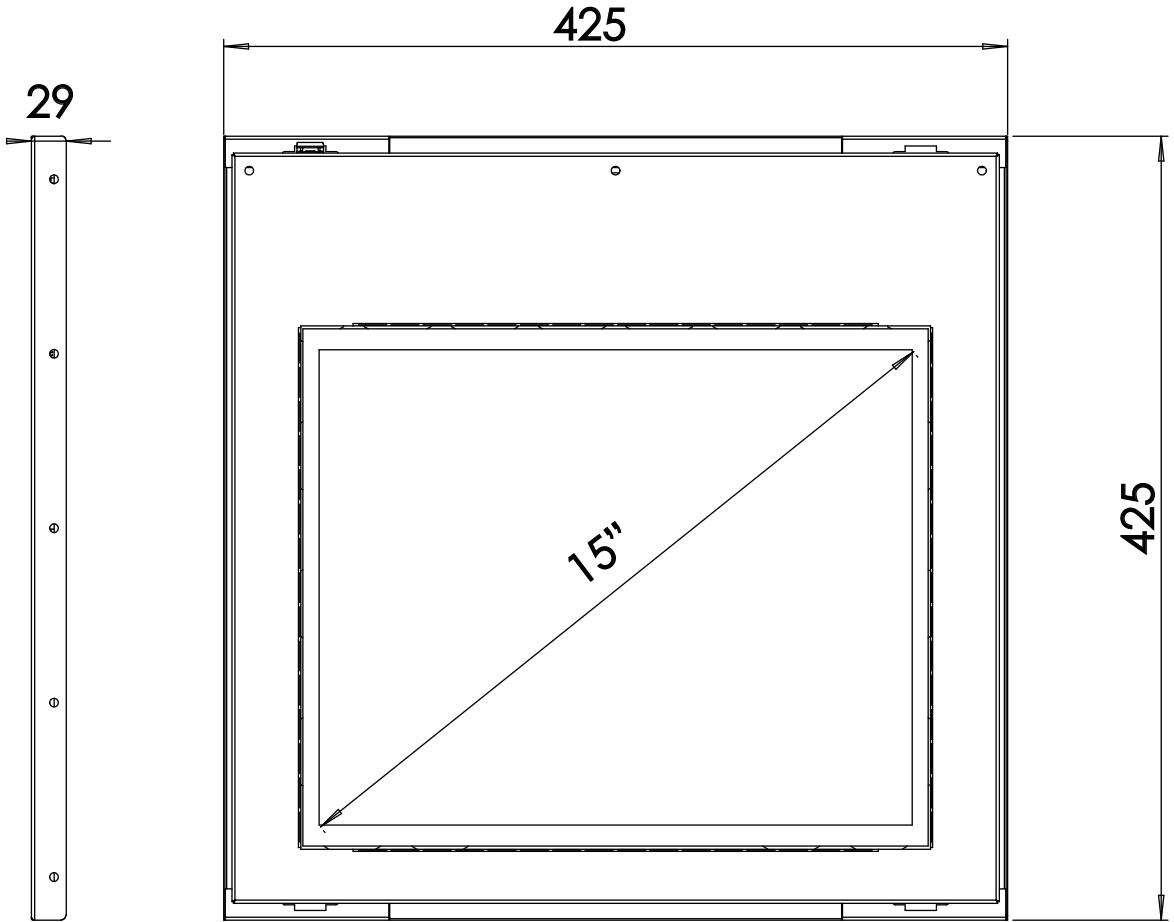
### VIDEO OUTPUT

<b>Type</b>	: HDMI
<b>Max Resolution</b>	: 1920x1080 @ 60Hz

### ENVIRONMENTAL FEATURES

<b>Working Temp</b>	: 0 ~ 60°C
<b>Storage Humidity</b>	: 5 ~ 95% (Non-Condensing)
<b>Case</b>	: Heavy Duty Metal Case
<b>Front Frame</b>	: Framed/Frameless Glass
<b>Weight</b>	: Variable According to Screen Size
<b>Dimensions</b>	: Variable According to Screen Size
<b>Mounting</b>	: Built-In





Tel: +90 216 365 82 50  
Faks: +90 216 365 82 30



info@cizgi.net  
www.cizgi.net



Merve Mah. Necip Fazıl Cad. No:8 34791  
Sancaktepe - İstanbul